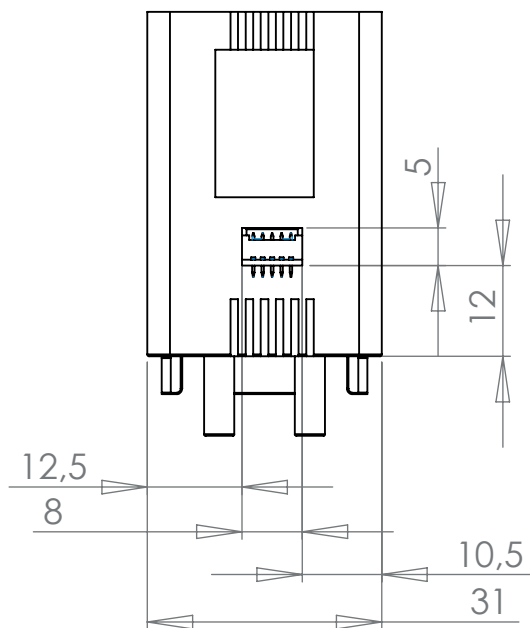
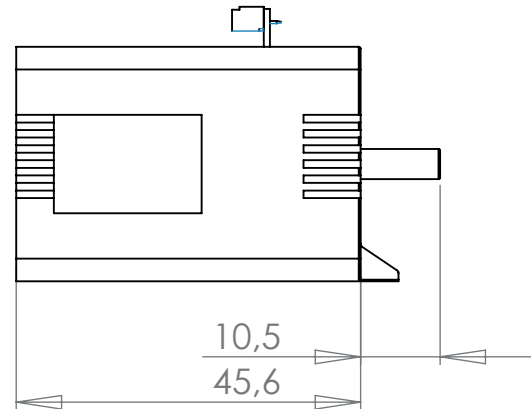
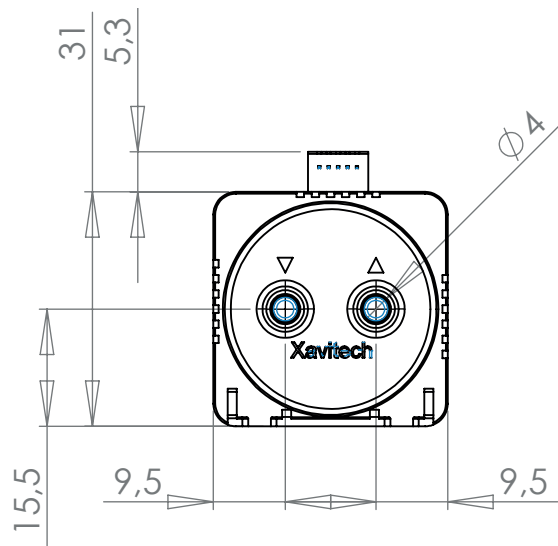


ALL DIMENSIONS ARE IN MM

PUMP MODEL	V1500 AND P1500 BLACK EDITION
CONNECTION	Flex
DIMENSION TOLERANCE	+/- 0,5mm
PUMP WEIGHT	108g +/- 2g
RECOMMENDED CONNECTORS	MOLEX 52610 or 52271
RECOMMENDED TUBE ID	2,8 to 3,8mm (Material dependent)



ALL DIMENSIONS ARE IN MM

PUMP MODEL	V1500 AND P1500 BLACK EDITION
CONNECTION	3 or 5 wires
DRAWING SCALE	1:1
DIMENSION TOLERANCE	+/- 0,5mm
PUMP WEIGHT	108g +/- 2g
RECOMMENDED CONNECTORS	MOLEX 53047 (picoblade)
RECOMMENDED TUBE ID	2,8 to 3,8mm (Material dependent)