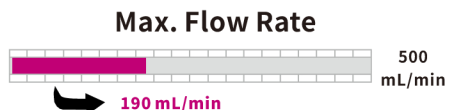


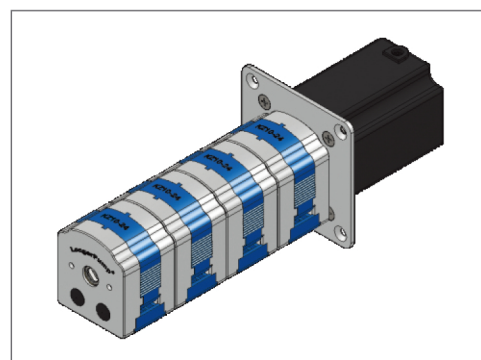
OEM Peristaltic Pump Head

KZ10-24, KZ15-14



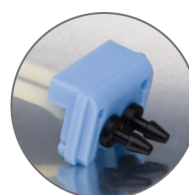
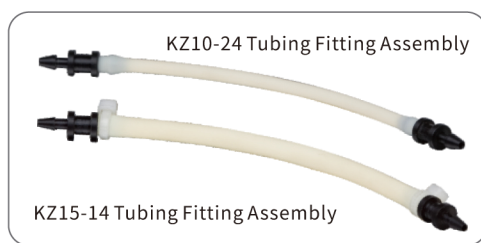
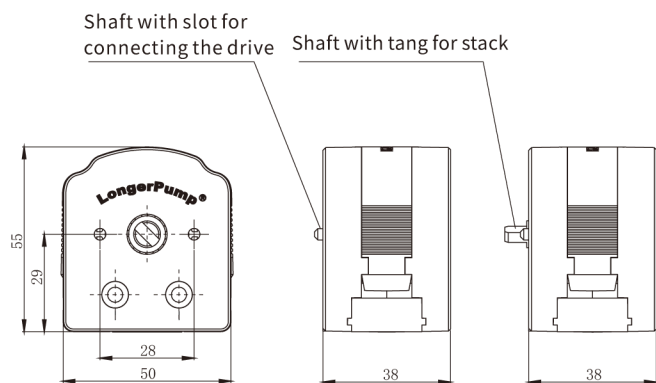
Compact structure, suitable for OEM peristaltic pump.

Two to four heads can be stacked for multi-channel applications.



DISPENSING&FILLING SYSTEM

Installation Drawing



KZ10-24 tubing clamer KZ15-14 tubing clamer

Model	Shaft	Product Code	Channel Number	Roller Number	Roller Material	Housing Material	Speed (rpm)	Tubing	Max. Flow Rate (mL/min)	Weight (kg)
KZ10-24-A	Slot	05.01.27A	2	4	POM	POM	≤450	ID≤2.79(mm) Wall thickness 0.86(mm)	104	0.1
KZ10-24-B	Tang	05.01.27B								
KZ10-24-C	Slot	05.01.27C								
KZ10-24-D	Tang	05.01.27D								
KZ15-14-A	Slot	05.01.28A	1	4	POM	POM	13" 14" 19" 16"	190	0.1	
KZ15-14-B	Tang	05.01.28B								
KZ15-14-C	Slot	05.01.28C								
KZ15-14-D	Tang	05.01.28D								