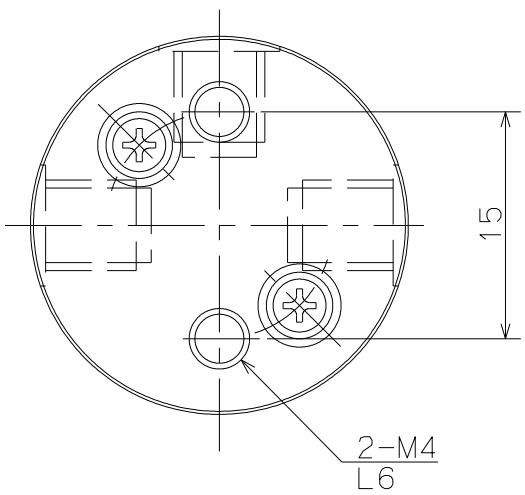
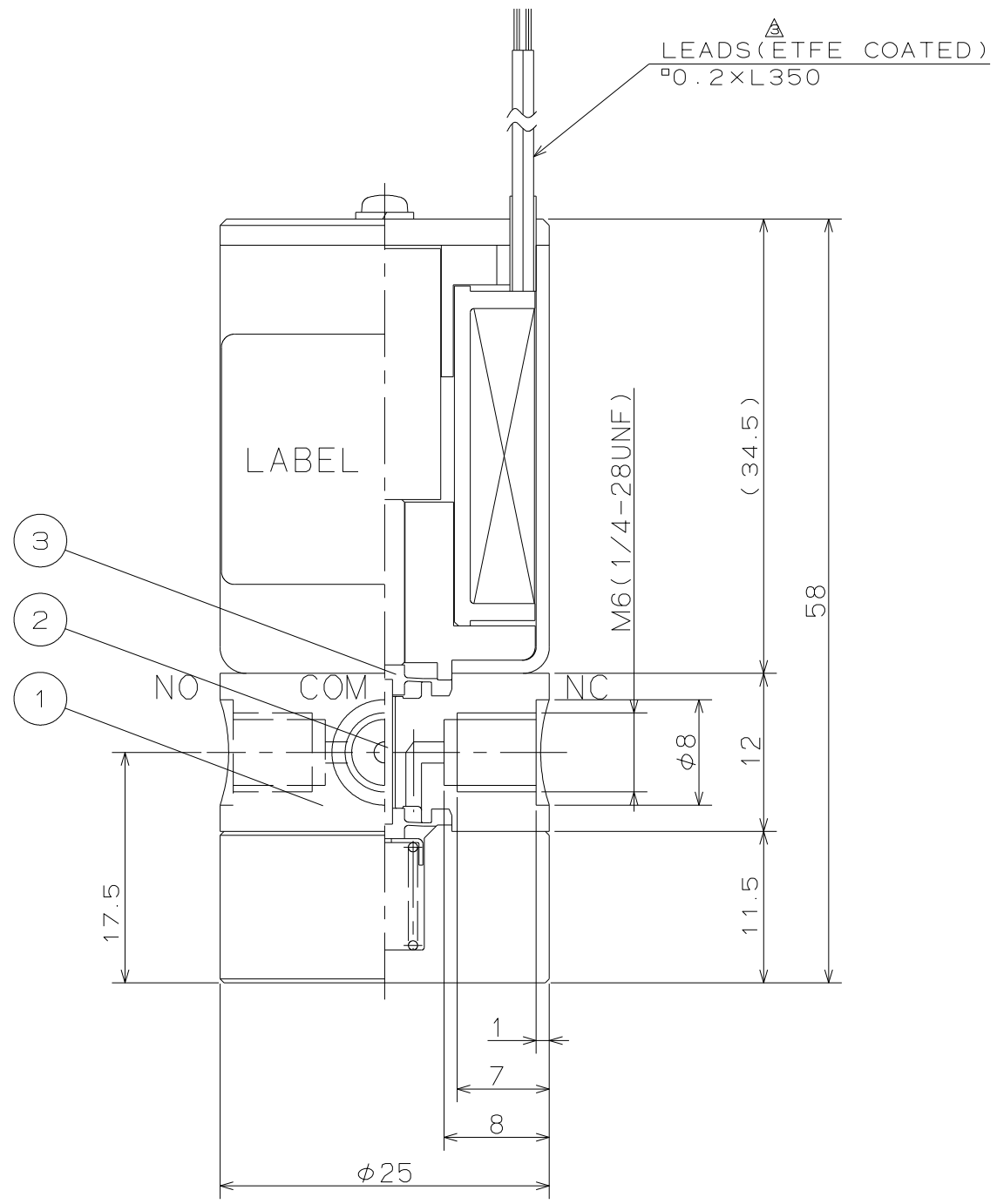


FOR REFERENCE ONLY

SOLENOID VALVE

SPECIFICATIONS for MODEL MTV-3-M6(1/4UF)H-3

- ORIFICE DIAMETER : 0.8mm
- PORT CONNECTION : M6, 1/4-28UNF
- OPERATING PRESSURE RANGE : COM -100 ~ 600kPa
{ -750mmHg ~ 6bar }
- NC, NO : 0 ~ 500kPa
{ 0 ~ 5bar }
- FLUID MEDIA : FLUIDS CHEMICALLY COMPATIBLE WITH MATERIALS BELOW
- MEDIA TEMPERATURE RANGE : 5 ~ 70°C
- AMBIENT TEMPERATURE RANGE : 5 ~ 50°C
- RATED VOLTAGE : Δ 12VDC, 24VDC
- INITIAL ACTIVATION VOLTAGE : Δ 200% OF RATED VOLTAGE
- POWER CONSUMPTION : 2.6W(RATED VOLTAGE)
- DUTY CYCLE : CONTINUOUS(RATED VOLTAGE)
- COIL TEMPERATURE INCREASE : MAX.55°C FROM ROOM TEMPERATURE (RATED VOLTAGE)
- INSULATION CLASS : CLASS B
- DIELECTRIC STRENGTH : 1500VAC FOR 60s
- INTERNAL VOLUME : COM 15 μ l
NC, NO 30 μ l EACH



WETTED MATERIALS

SYM.	DATE	DESCRIPTION	PART NO	PART NAME	MATERIAL	REQD.	NOTE
Δ	'12- 4-20	VALVE BODY MATERIAL PTFE ADDED etc. N.S					
Δ	'00- 5-22	VALVE BODY MATERIAL PEEK ADDED etc. Y.K	3	DIAPHRAGM	PTFE	2	
Δ	'99- 4-28	RATED VOLTAGE 12VDC ADDED M.M	2	STEM	Al ₂ O ₃	1	
			1	VALVE BODY	PTFE/ Δ PEEK/ Δ PTFE	1	

SCALE	APPROVED	CHECKED	DRAWN	SOLENOID VALVE		DRAWING NO
2/1	H.Asai	N.Asai	K.Abe	MTV-3-M6(1/4UF)H-3		967093-00-E
A 3						