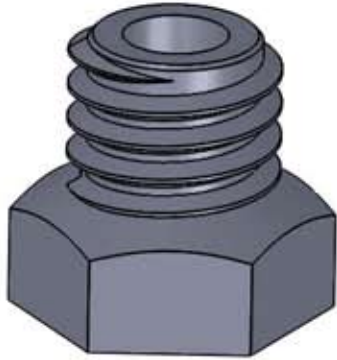
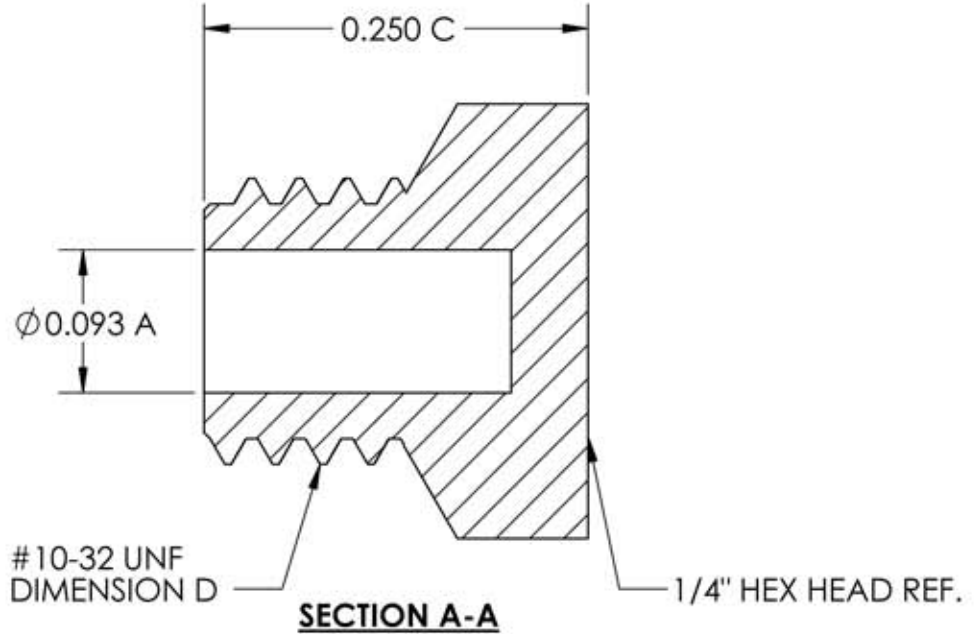
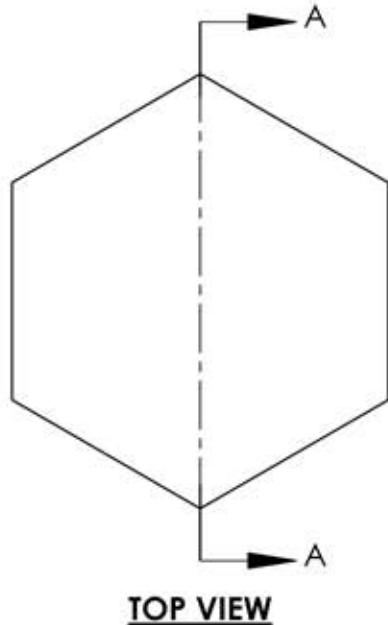


REV	ECO#	DATE	REVISION RECORD	DWG.BY	APPR.BY
A	668	06/20/16	INITIAL RELEASE TO TOOLING DESIGN	LTD	MC



ISOMETRIC VIEW
SCALE 6:1



- NOTES
 1. ALL DIMENSIONS TYPICAL
 2. VIEW SHOWN IS LOGO SIDE UP
 3. NO MOLD PARTING LINE ALLOWED ON CONICAL BARB SURFACES
 4. DOT ON BARB NECK IS A CAVITY - OR CAVITY IS NUMBERED
 5. RAISED FEATURE ON BARB NECK (IF SHOWN) = ANTI-ROTATION DEVICE

This drawing is issued in confidence.

Shown: 4 most recent title block revisions

Material / Tolerance:	A & B	C, D, E, F
Dow Engage 8402:	± .018	± .023
Acetal (AC):	± .020	± .050
Crystal Vu (CVU):	± .021	± .035
Nylon 6/6 (NN)(MN)(WN):	± .016	± .020
Black Nylon 6/6 (BN):	± .016	± .020
Glass-Filled Nylon (GFBN):	± .020	+ .060/- .000
Polypropylene (PP)(NP)(WP):	± .018	± .023
HD Polyethylene (HDPE):	± .015	± .045
Kynar-Flex (NKF):	± .026	+ .026/- .060
Nat./Gray Kynar (NK)(PVDF):	± .020	+ .000/- .070
Polycarbonate (PC):	± .016	± .031
A.B.S. (ABS):	± .016	± .031

DESCRIPTION			
#10-32 UNF THREADED HEX PLUG			
DRAWN BY	APPROVED BY	APPROVAL DATE	DRAWING NAME
LTD	MC	06/20/16	QC DRAWING
SCALE	SIZE	SHEET	TITLE BLOCK REV.
8:1	A	1 OF 1	N
All printed copies of drawing are for reference only			PART NO. REV.
			P1032-200 A

REV	ECO#	DATE	TITLE BLOCK REVISION RECORD
K	070860	7/27/2009	Add Crystal Vu (CVU) material A,B ± .021 & C,D,E,F ± .035
L	425	10/24/11	ADDED DOW ENGAGE AND (WN)
M	426	10/25/11	Changed Black Nylon Tolerance for C,D,E,F from +.000 to +.020
N	432	12/5/2011	Removed "DATE PART CREATED"