

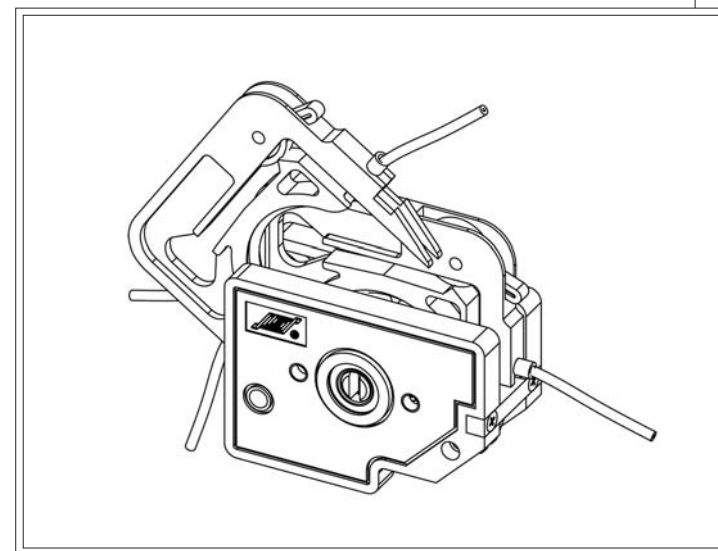


Baoding Longer Precision Pump Co., Ltd.

ADD: Building A, Chuangye Center Baoding
National High-Tech Industrial Development
Zone, Baoding, Hebei, China 071051
TEL: 86 - 312 - 3138553/3132333
FAX: 86 - 312 - 3168553
E-mail: longer@longerpump.com
www.longerpump.com

DG Series Peristaltic Pump Heads

**DG Series Pump Head
User Guide**



BaoDing Longer Precision Pump Co., Ltd.

 **IMPORTANT INFORMATION:**

Please read operation manual carefully before operation.

 **WARNINGS:**

- Tubing breakage may result in fluid being sprayed from pump. Use appropriate measures to protect operator and equipment. Please check the tubing frequently and change the tubing in time.
- If the power line or the plug is worn or damaged please pull out the plug (Hold the plug not the power line when pulling out).
- Please shut down the power supply and pull out the plug when meet below circumstances (Hold the plug not the power line when pulling out).
The fluids splash on the body of the pump.
You think the pump needs to be maintained or repaired.
- Please shut down the power supply before install the external control equipments.

TABLE OF CONTENTS

Introduction and general description.....	1
DG Series pump head direction for use.....	2
Pump head loading.....	3
Product maintenance.....	4
Warranty.....	4
Loading size.....	4

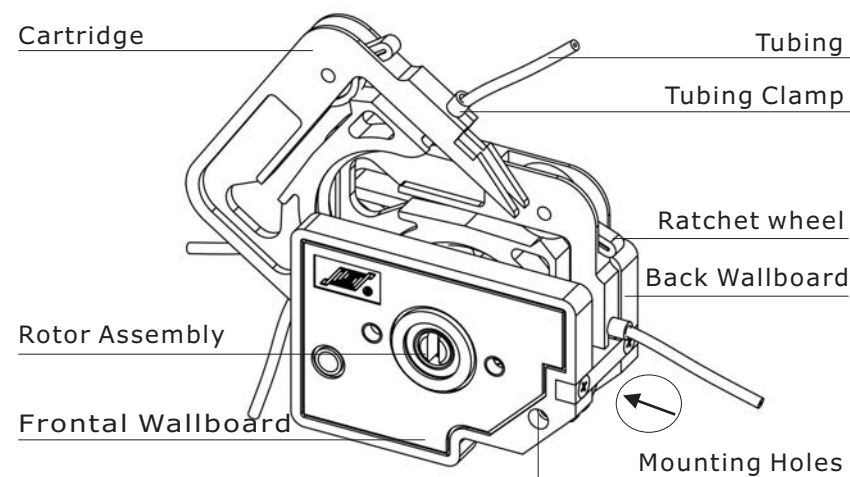
Introduction and general description

DG series pump heads (Multi-channel heads) are designed for small flux, multi-channel liquid transportation. Easy to change and fixup tubing. Occlusion clearance can fine tuning. The rotor materials is stainless steel (SS). The rotor assembly with 6 rollers and 10 rollers can be choose. 10 rollers's pump had smaller flux and pulsating. The cartridge of POM had fine self-lubricate. The specifications are shown in the below table.

Table1

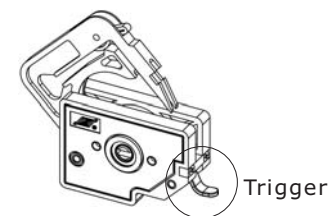
Type	Flow range (ml/min)	Applicable tubing ID	Tubing wall thickness	Cartridge material	Roller material	Weight
DG-1 (6)	0.006~30	0.25~2.4	0.8~1	POM	SS	0.21
DG-1 (10)	0.006~30	0.25~2.4				0.20
DG-2 (6)	0.006~30	0.25~2.4				0.27
DG-2 (10)	0.006~30	0.25~2.4				0.26
DG-4 (6)	0.006~30	0.25~2.4				0.40
DG-4 (10)	0.006~30	0.25~2.4				0.39
DG-6 (6)	0.006~30	0.25~2.4				0.54
DG-6 (10)	0.006~30	0.25~2.4				0.51
DG-8 (6)	0.006~30	0.25~2.4				0.67
DG-8 (10)	0.006~30	0.25~2.4				0.63
DG-12 (6)	0.006~30	0.25~2.4				0.95
DG-12 (10)	0.006~30	0.25~2.4				0.88

DG Series pump head direction for use



❖ TUBE LOADING

- Press the cartridge as the arrow direction. (as the figure above)
- Fill the tube with stops into the cartridge working position. (as the figure above)
- Put the ratchet wheel to the lowest position.
- Put the cartridge with the tube on the pump head.



DG-1 pump head

💡 Prompt

DG-1 pump head can turn trigger to take the cartridge off. (DG-1 pump head only)

PUMP HEAD INSTALLATION

❖ Installation step

- Take off the cartridge and install the pump head.
- The pump head is connected to driver unit by two allen screws (m4).
- Insert the two allen screws into the mounting holes at the back wallboard, connect the pump head with the driver unit end to end, then tighten the screws use the allen wrench.

💡 Prompt:

- Usually the pump head had be connected with the driver unit. Only in washing ect. condition, pump head installation shoud be according to the step above.
- Try your best to tighten the two screws in the same degree. Do not over-tighten the screws to prevent the support block from deforming and buzz.

💡 Attention

- The material of Pump head is organic solvent non-resistance!
- Ratchet wheel design for occlusion adjustment. Can not adjust the flux.

❖ Pump head tubing occlusion adjustment

- The tubing wall thickness for DG series pump head is 0.8 1(mm).
- Adjust process

If the wall thickness of tubing is not standard, you can adjust the occlusion as follows: first load the tubing, and push the ratchet wheel to the lowest end to make the occlusion maximum. Place the inlet of the tubing into water and blow from the outlet, there are blebs. Then push the ratchet wheel to the higher till there are exactly no blebs.

If there are still blebs after push the ratchet wheel to the highest end, it suggests that the wall thickness of the tubing is too thin and beyond the applicable range.

💡 Attention

In order to extend the tubing life and reduce the driver unit load, adjust the ratchet wheel in the right position is needed.

PRODUCT MANINTENANCE

- For optimum tubing life, keep tubing straight where it enters and exits the pump.
- Stop the drive when changing the tubing or its position in the rotor mechanism (the rotor is partially exposed when the CARTRIDGE is in the open position). Keep the roller clean and dry in order to extend the using life of the tube and rotor.
- The Pump head is organic solvent and strong caustic liquid non-resistance!

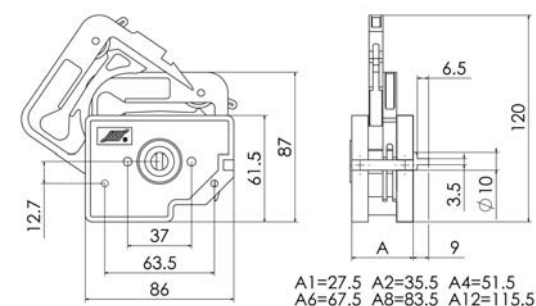
💡 Prompt

Service phone: 86-312-3138553

WARRANTY

The warranty period for this product is one year. If repair or adjustment is necessary within the warranty period, the problem will be corrected at no charge if it is not due to misuse or abuse on your part, as determined by the manufacturer. Repair costs outside the warranty period, or those resulting from product misuse or abuse, may be invoiced to you.

Mounting Size



Pump head mounting size