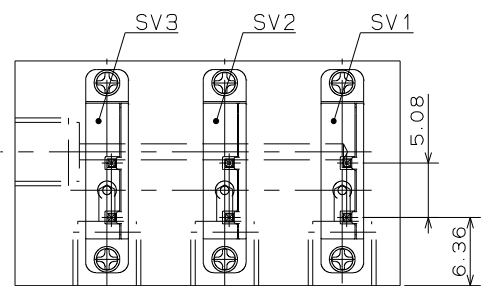


FOR REFERENCE ONLY

SHAPE MEMORY ALLOY VALVE

SPECIFICATIONS for MODEL SMV-2X-3MFX-3



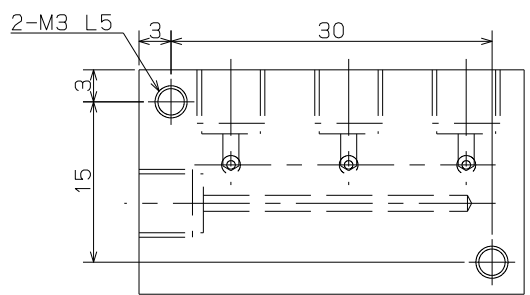
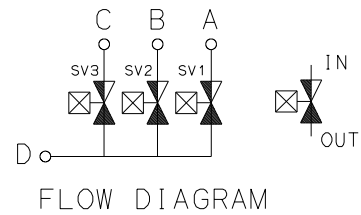
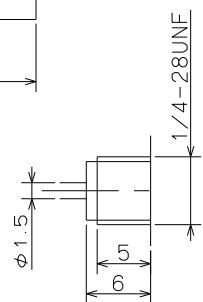
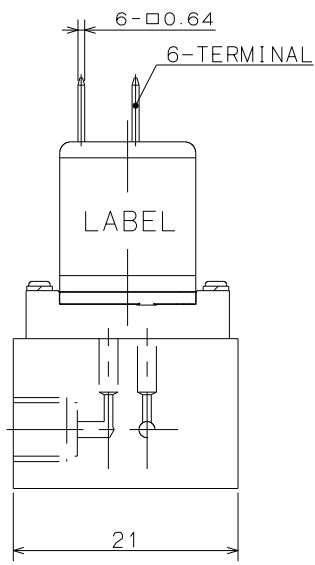
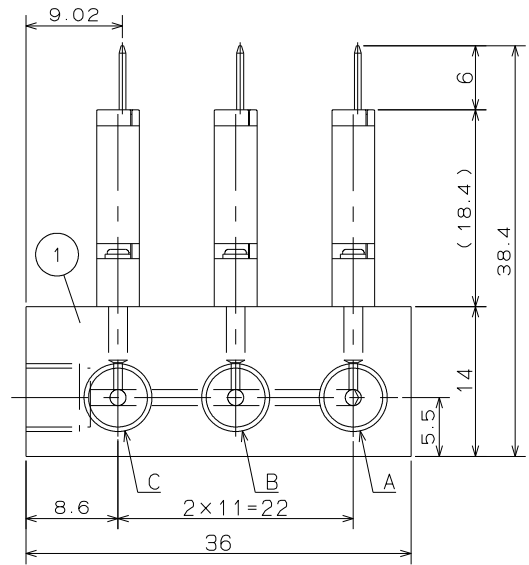
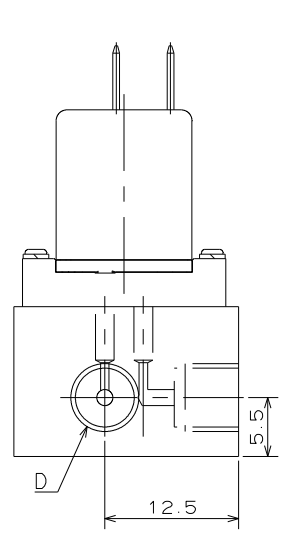
ORIFICE DIAMETER : 0.8mm
 PORT CONNECTION : A ~ D 1/4-28UNF
 OPERATING PRESSURE RANGE : A ~ C 0 ~ 100kPa (0 ~ 1bar)
 D 0 ~ 50kPa (0 ~ 0.5bar)

FLUID MEDIA : FLUIDS CHEMICALLY COMPATIBLE WITH MATERIALS BELOW

MEDIA TEMPERATURE RANGE : 5 ~ 40°C
 AMBIENT TEMPERATURE RANGE : 5 ~ 40°C
 CURRENT : 250mA×3
 ELECTRIC RESISTANCE : 3Ω±10%(AT 20°C)
 POWER CONSUMPTION : Max.0.25W×3

NOTE :

MODEL NUMBER	BODY, MANIFOLD	DIAPHRAGM, O RING
SMV-2R-3MFF-3	PPS	FKM
SMV-2K-3MFG-3	PEEK	FFKM



PORT DETAILS

WETTED MATERIALS

△			4	DIAPHRAGM	FKM/FFKM	3	SMV-2R-BMFF SMV-2K-BMFG
△			3	BODY	PPS/PEEK	3	SMV-2R-BMFF SMV-2K-BMFG
△			2	O RING	FKM/FFKM	6	SMV-2R-BMFF SMV-2K-BMFG
SYM.	DATE	DESCRIPTION	1	MANIFOLD	PPS/PEEK	1	
REVISION			PART NO.	PART NAME	MATERIAL	REQD.	NOTE
SCALE	APPROVED	CHECKED	DRAWN		DRAWING NO		
2/1		K. Asai	Kabe		SOLENOID VALVE SMV-2X-3MFX-3		22135-00-E
A 3		K. Hayashi					