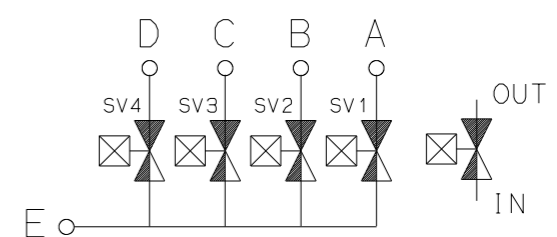
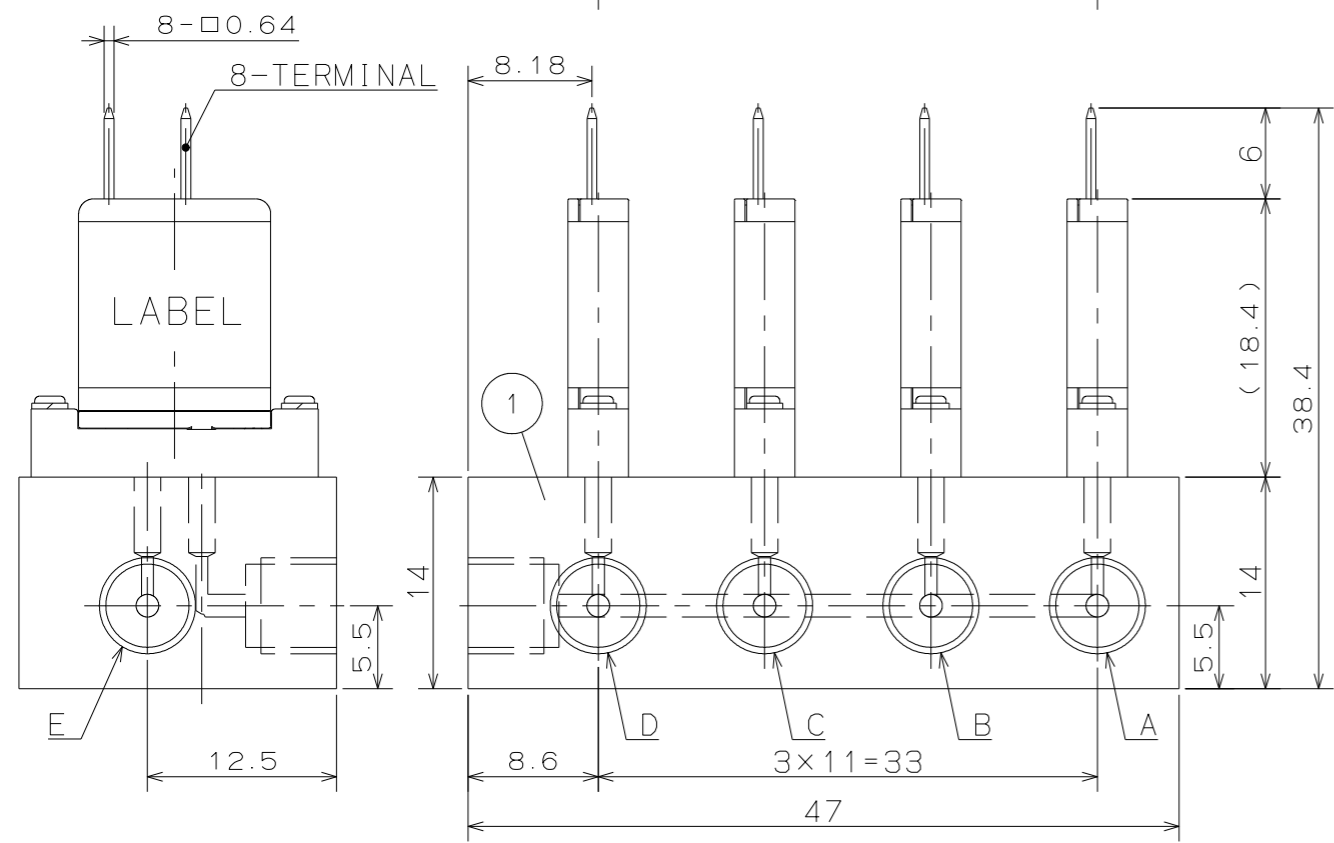
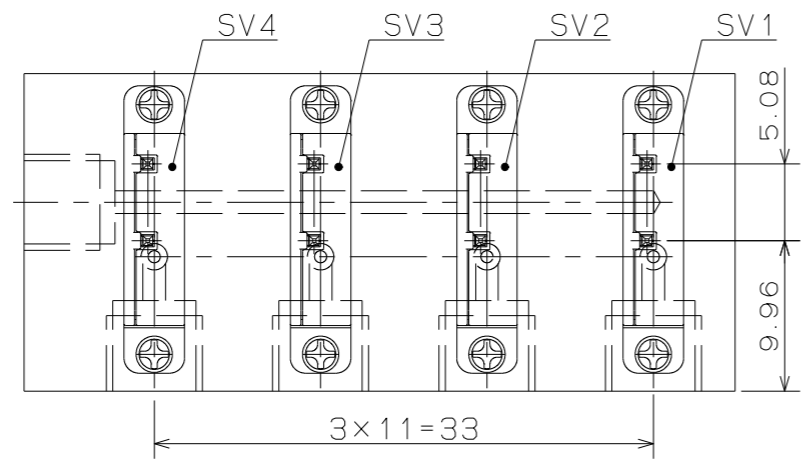


FOR REFERENCE ONLY

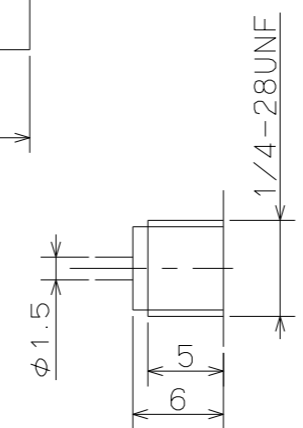
SHAPE MEMORY ALLOY VALVE

SPECIFICATIONS for MODEL SMV-2R-4MFF-2

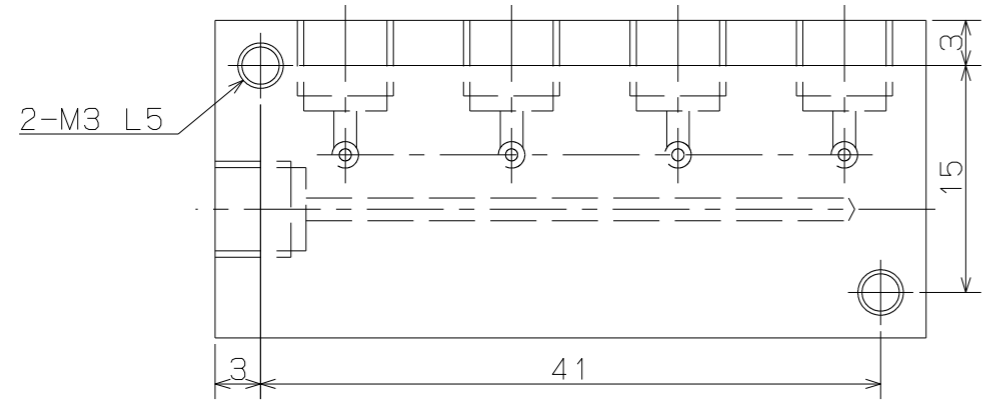
- ORIFICE DIAMETER : 0.8mm
- PORT CONNECTION : A ~ E 1/4-28UNF
- OPERATING PRESSURE RANGE : A ~ D 0 ~ 50kPa
{ 0 ~ 0.5bar }
- E 0 ~ 100kPa
{ 0 ~ 1bar }
- FLUID MEDIA : FLUIDS CHEMICALLY COMPATIBLE WITH MATERIALS BELOW
- MEDIA TEMPERATURE RANGE : 5 ~ 40°C
- AMBIENT TEMPERATURE RANGE : 5 ~ 40°C
- CURRENT : 250mA×4
- ELECTRIC RESISTANCE : 3Ω±10%(AT 20°C)
- POWER CONSUMPTION : Max.0.25W×4



FLOW DIAGRAM



PORT DETAILS



WETTED MATERIALS

△			4	DIAPHRAGM	FKM	4	SMV-2R-BMFF
△			3	BODY	PPS	4	SMV-2R-BMFF
△			2	O RING	FKM	8	SMV-2R-BMFF
SYM.	DATE	DESCRIPTION	1	MANIFOLD	PPS	1	
REVISION			PART NO.	PART NAME	MATERIAL	REQD.	NOTE
SCALE	APPROVED	CHECKED	DRAWN			DRAWING NO	
2/1		K.Asai	SOLENOID VALVE			21195-00-E	
A 3		R.Abe	SMV-2R-4MFF-2				
		H.Schikawa					