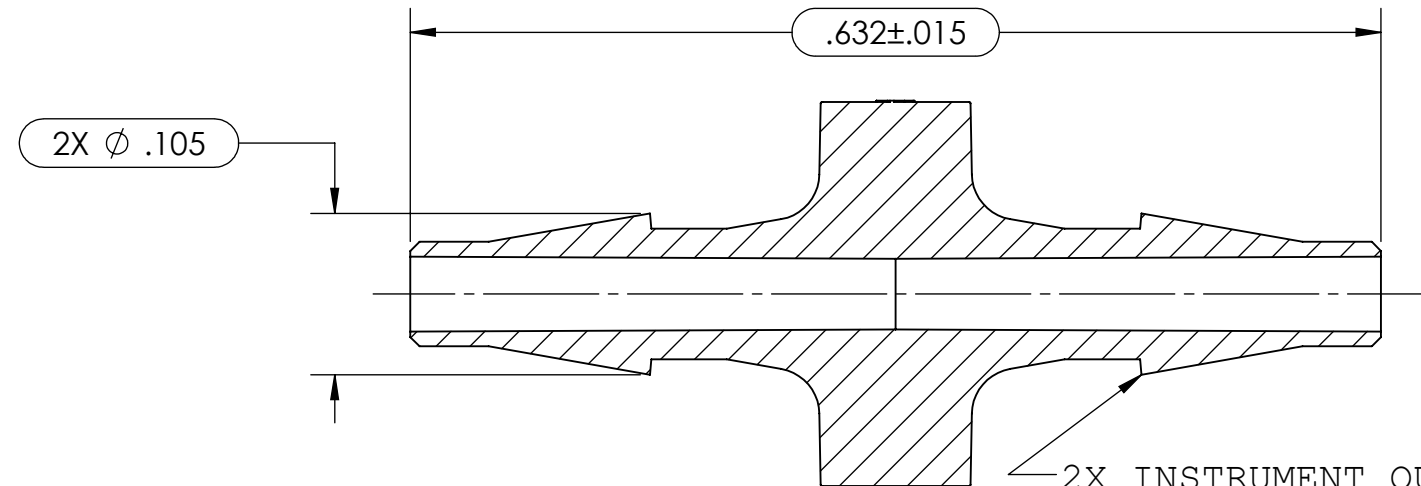
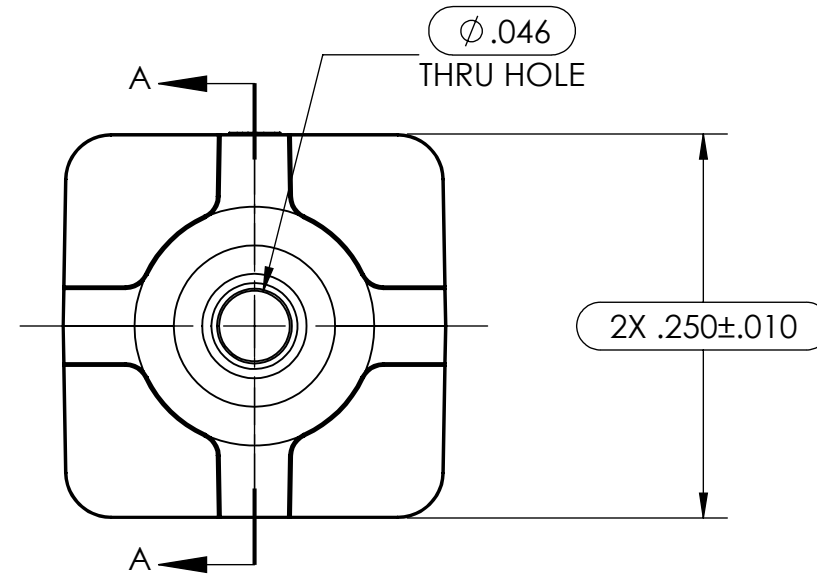


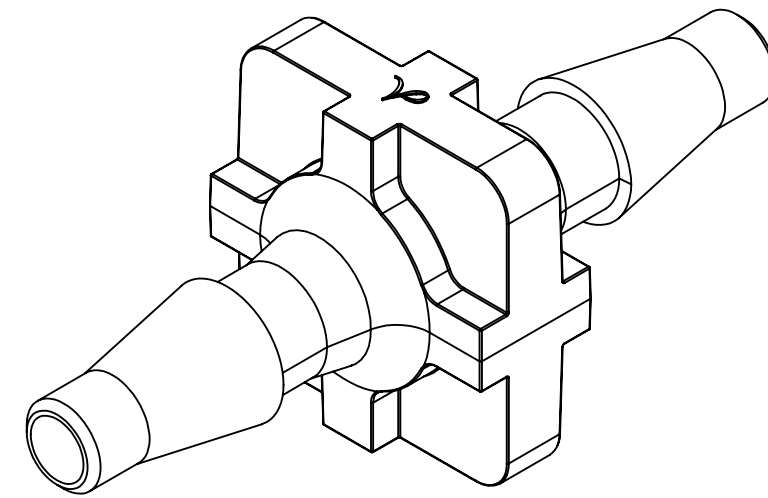
NOTES: FOR ADDITIONAL DETAILS, PLEASE CONTACT VP NEW PRODUCT DEVELOPMENT
 DIMENSIONS MARKED $\text{\textcircled{\hspace{1em}}}$ ARE CONTROL DIMENSIONS

REVISIONS			
REV.	DESCRIPTION	DATE	APPROVED
A	INITIAL RELEASE		
B	CO 012, CORE CENTER RIB	04-21-05	Rick C.
C	ECO 378	11-06-18	FJL



2X INSTRUMENT QUALITY PART.
 NO PARTING LINE PERMITTED ON
 THIS CONICAL SURFACE

SECTION A-A



UNLESS OTHERWISE SPECIFIED DIMENSIONS ARE IN INCHES TOLERANCES ARE:		VALUE PLASTICS, INC			
FRACTIONS ±	DECIMAL . XX ±.01 .XXX ±.005 .XXXX ±.001	ANGULAR ± 1°	PART NUMBER: AA		
DO NOT SCALE DRAWING			DESCRIPTION: Straight Through Connector with Classic Series Barbs, 1/16" (1.5mm) ID Tubing		
DRAWN BY: marie.morleyjahn	DATE: 11/6/2018	SIZE: B	SCALE: NTS	VER: 1005628	DWG. NO. 1005628
MANAGER: doug.kimmel		© 2017 VALUE PLASTICS, INC			REV C
				SHEET: 2 OF 1	