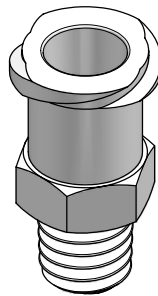
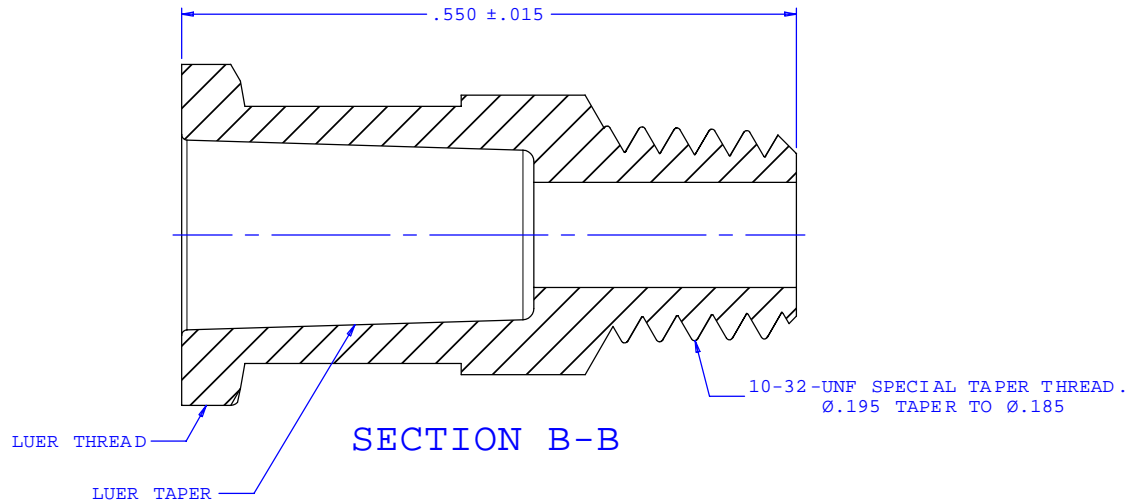
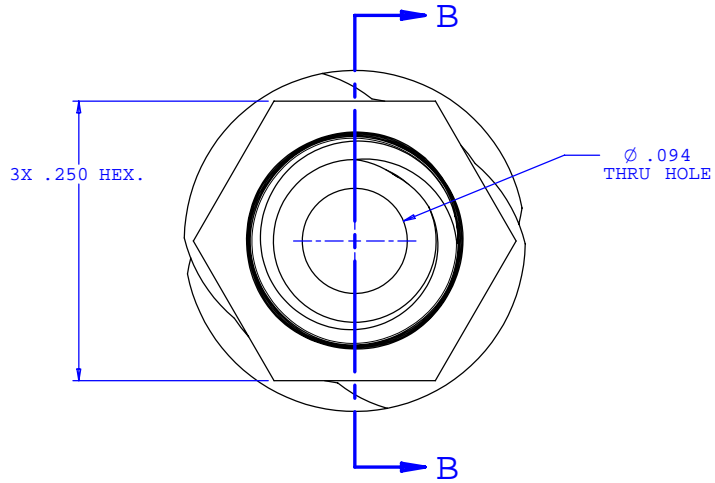


NOTE: FOR MORE DETAILS SEE YOUR V.P. CUSTOMER SERVICE REP.

REVISIONS			
REV.	DESCRIPTION	DATE	APPROVED
A	INITIAL RELEASE	02-25-98	
B	CO 018 Drafting Update	07-09-05	RICKC



UNLESS OTHERWISE SPECIFIED DIMENSIONS ARE IN INCHES TOLERANCES ARE:		<b>VALUE PLASTICS, INC.</b>	
FRACTIONS ±	DECIMALS .XX ±.01 .XXX ±.005 .XXXX ±.001	ANGULAR ±1°	PART NUMBER: <b>XFTLL</b>
DO NOT SCALE DRAWING		DESCRIPTION: Female Luer Thread Style with 1/4" Hex to 10-32 Special Tapered Thread	
DRAWN BY: <b>Frank Lombardi 05-09-05</b>	DATE:	SIZE: B	SCALE: NTS
Engineer/Manager: <b>Rick Cairns</b>		DRAWING NUMBER: <b>1006637</b>	REV. B
© 2005 VALUE PLASTICS, INC.			SHEET: 1 OF 1

**FOR REFERENCE ONLY**