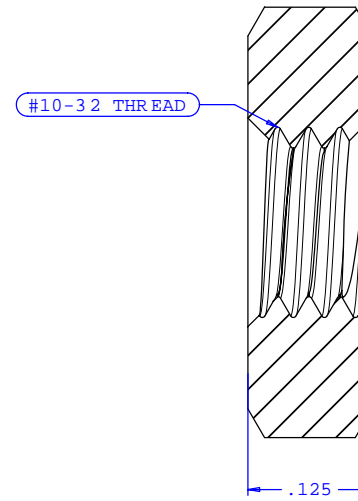
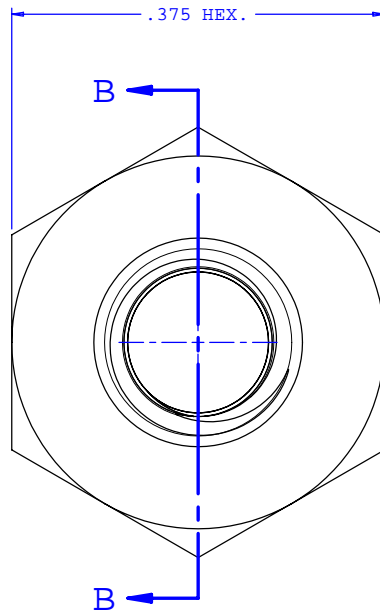
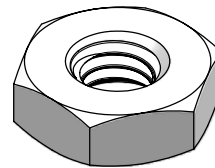


NOTE: FOR MORE DETAILS SEE YOUR V.P. CUSTOMER SERVICE REP.

| REVISIONS |                 |          |          |
|-----------|-----------------|----------|----------|
| REV.      | DESCRIPTION     | DATE     | APPROVED |
| A         | INITIAL RELEASE | 11-06-03 |          |



SECTION B-B



|   |   |  |                             |
|---|---|--|-----------------------------|
| UNLESS OTHERWISE SPECIFIED<br>DIMENSIONS ARE IN INCHES<br>TOLERANCES ARE: |   | <b>VALUE PLASTICS, INC.</b>  |                             |
| FRACTIONS<br>±  | DECIMALS<br>.XX ±.01<br>.XXX ±.005<br>.XXXX ±.001 | ANGULAR<br>±1°   | PART<br>NUMBER: <b>PMKN</b> |
| DO NOT SCALE DRAWING  |   | DESCRIPTION: Panel Mount Nut 10-32 UNF with 3/8" Hex.<br>(For use with PMK panel mount fittings) |                             |
| DRAWN BY:<br><b>Frank Lombardi 06-01-05</b>                               | DATE:   | SIZE: <b>B</b>   | SCALE: <b>NTS</b>           |
| Engineer/Manager:<br><b>Rick Cairns</b>                                   |   | DRAWING NUMBER:<br><b>1006837</b>  | REV.<br><b>A</b>            |
| © 2005 VALUE PLASTICS, INC.   |   |  | SHEET: 1 OF 1               |

**FOR REFERENCE ONLY**