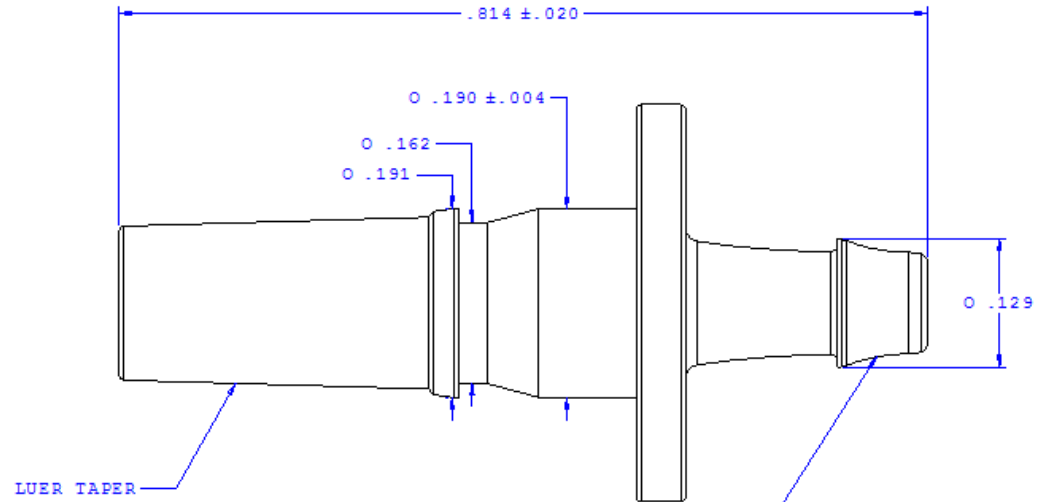
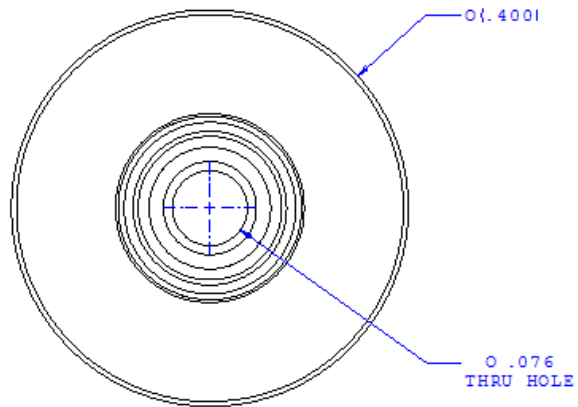
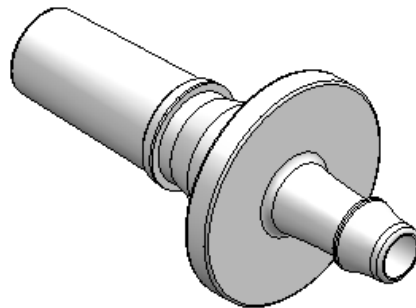


NOTE: FOR MORE DETAILS SEE YOUR V.P. CUSTOMER SERVICE REP.

REVISIONS			
REV.	DESCRIPTION	DATE	APPROVED
A	INITIAL RELEASE	09-09-02	
B	CO 024 Drafting Update	Rick C.	12-22-05



INSTRUMENT QUALITY PART. NO PARTING LINE PERMITTED ON THIS CONICAL SURFACE



UNLESS OTHERWISE SPECIFIED DIMENSIONS ARE IN INCHES TOLERANCES ARE:		<b>VALUE PLASTICS, INC.</b>	
FRACTIONS 1/2 .XXX .XXXX	DECIMALS 0.01 0.005 0.001	ANGULAR 1°	PART NUMBER: <b>MLRL007</b> DESCRIPTION: Male Luer to 500 Series Barb, 3/32" (2.25 mm) ID Tubing (May be used with separate lock ring PSLLR)
DRAWN BY: <b>Frank Lombardi 07-26-05</b>	DATE: <b>07-26-05</b>	SIZE: <b>B</b> SCALE: <b>NTS</b>	DRAWING NUMBER: <b>1007183</b>
ENGINEER MANAGER: <b>Rick Cairns</b>		© 2005 VALUE PLASTICS, INC.    QUANTITY: 1 OF 1	

**FOR REFERENCE ONLY**