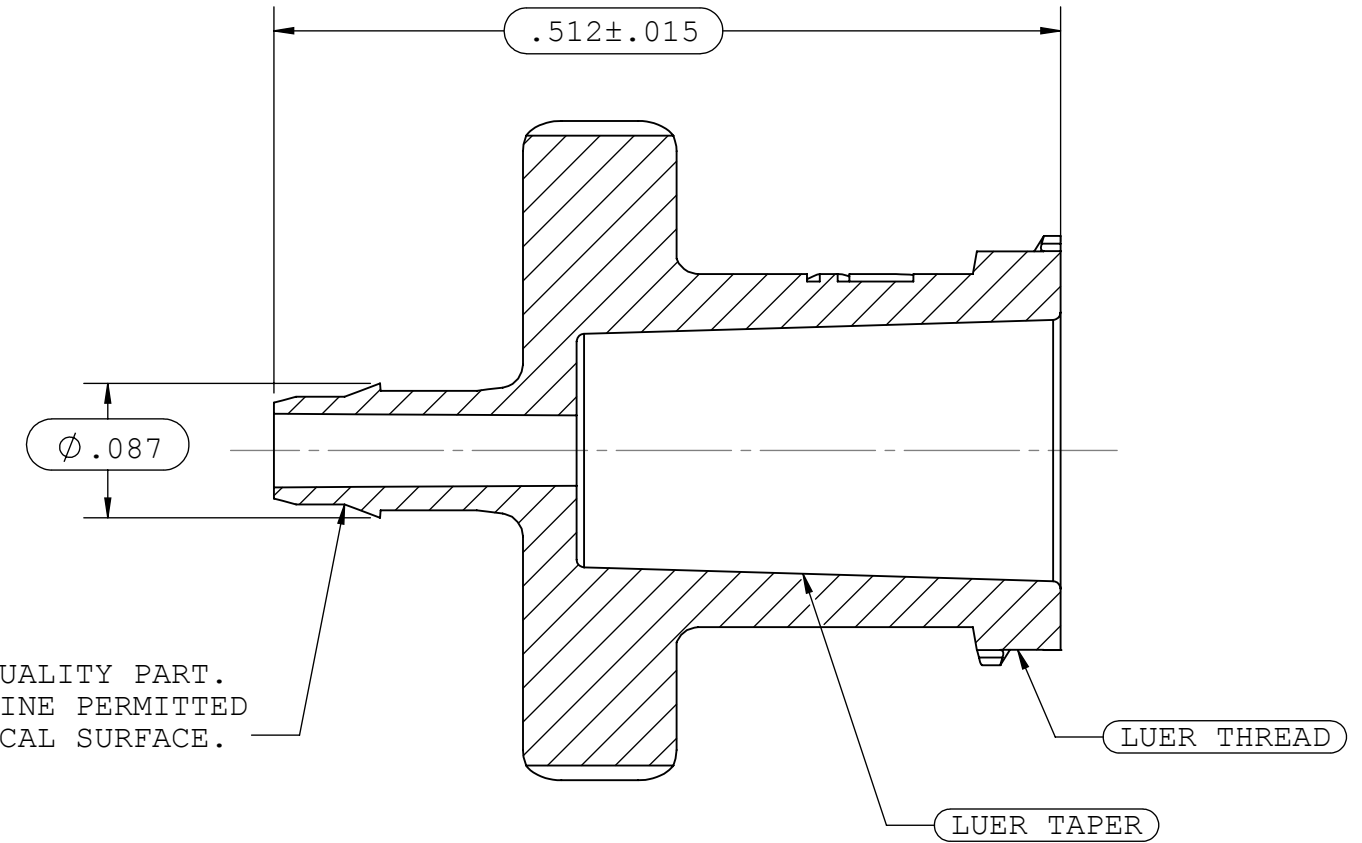
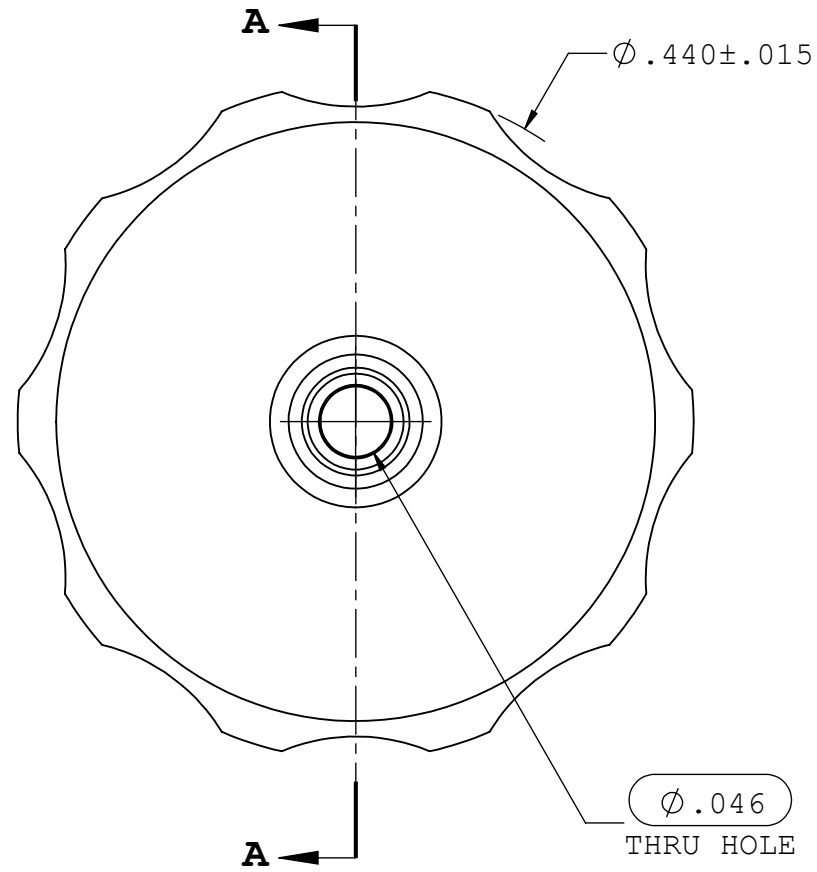


NOTES: FOR ADDITIONAL DETAILS, PLEASE CONTACT VP CUSTOMER SERVICE
 DIMENSIONS MARKED ϕ ARE CONTROL DIMENSIONS

REVISIONS			
REV.	DESCRIPTION	DATE	APPROVED
A	INITIAL RELEASE	01-30-98	
B	CO 016 Drafting Update	07-11-05	Rick C.
C	ECO 377	07-24-18	FJL



SECTION A-A



UNLESS OTHERWISE SPECIFIED DIMENSIONS ARE IN INCHES TOLERANCES ARE:		VALUE PLASTICS, INC			
FRACTIONS DECIMAL ANGULAR \pm .XX $\pm .01$ $\pm 1^\circ$.XXX $\pm .005$.XXXX $\pm .001$ DO NOT SCALE DRAWING		PART NUMBER: FTL410			
		DESCRIPTION: Female Luer Thread Style to 200 Series Barb, 1/16" (1.6 mm) ID Tubing			
DRAWN BY: Frank.Lombardi	DATE: 8/31/2018	SIZE: B	SCALE: NTS	VER: 	DWG. NO. REV 1006642 C
MANAGER: Doug Kimmel		© 2011 VALUE PLASTICS, INC			SHEET: 1 OF 1

FOR REFERENCE ONLY