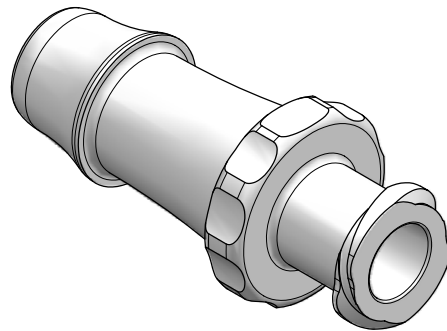
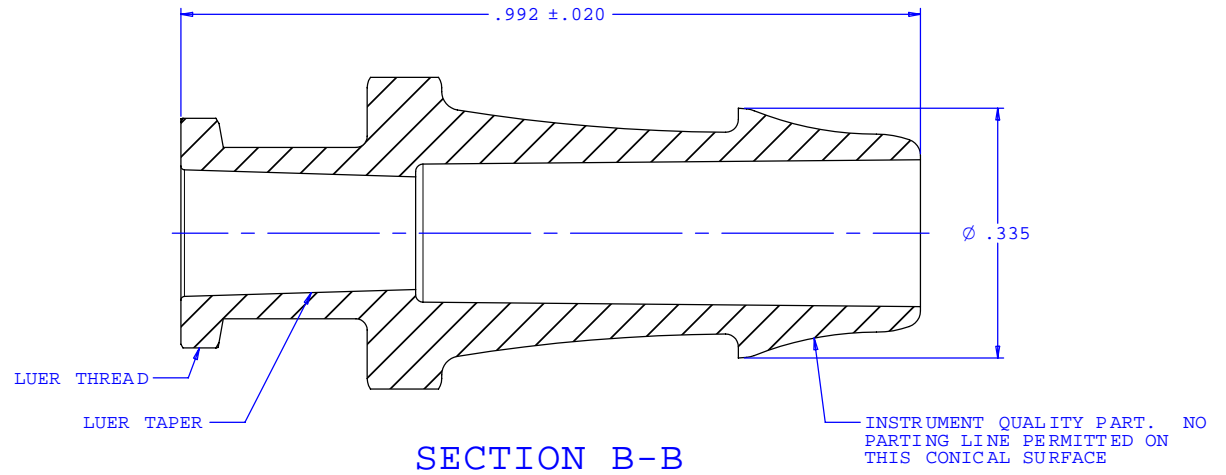
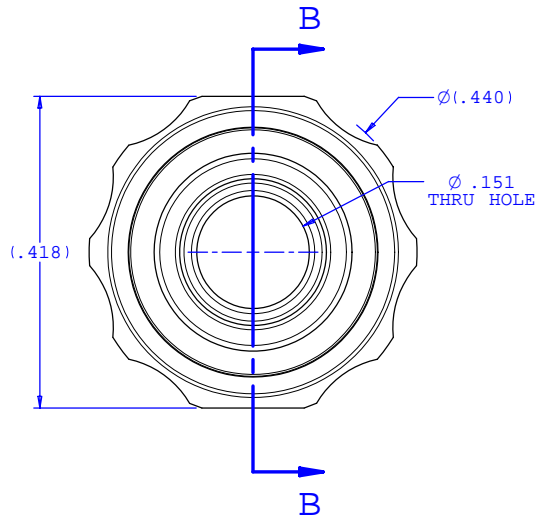


NOTE: FOR MORE DETAILS SEE YOUR V.P. CUSTOMER SERVICE REP.

REVISIONS			
REV.	DESCRIPTION	DATE	APPROVED
A	INITIAL RELEASE	09-20-02	
B	CO 016 Drafting Update	07-11-05	Rick C.



UNLESS OTHERWISE SPECIFIED DIMENSIONS ARE IN INCHES TOLERANCES ARE:		VALUE PLASTICS, INC.	
FRACTIONS	DECIMALS	ANGULAR	PART NUMBER: FTLL055
±	.XX ±.01	±1°	DESCRIPTION: Female Luer Thread Style to 500 Series Barb, 1/4" (6.25 mm) ID Tubing
	.XXX ±.005		SIZE: B SCALE: NTS DRAWING NUMBER: 1006640
	.XXXX ±.001		REV. B
DO NOT SCALE DRAWING		© 2005 VALUE PLASTICS, INC. SHEET: 1 OF 1	
DRAWN BY: Frank Lombardi	DATE: 05-09-05	Engineer/Manager: Rick Cairns	

FOR REFERENCE ONLY