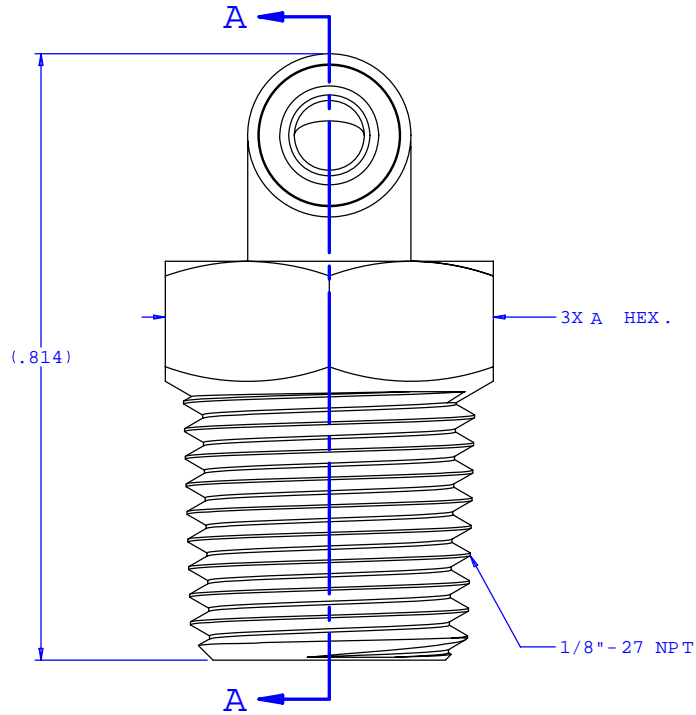
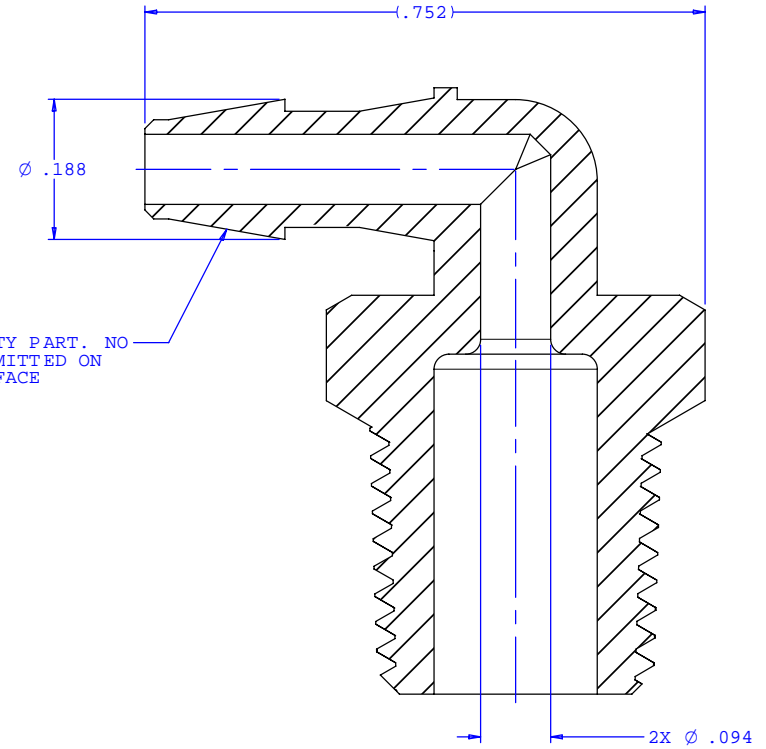


NOTE: FOR MORE DETAILS SEE YOUR V.P.CUSTOMER SERVICE REP.

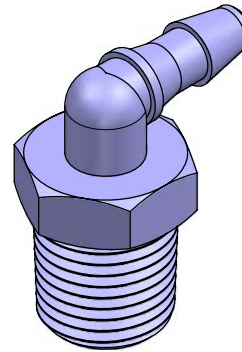
REVISIONS			
REV.	DESCRIPTION	DATE	APPROVED
A	INITIAL RELEASE	06-30-98	
B	CO 027 Drafting Update	10-10-05	Rick C.



INSTRUMENT QUALITY PART. NO PARTING LINE PERMITTED ON THIS CONICAL SURFACE



SECTION A-A



Dimension	Material Specific Tolerances							
	Acetal	Nylon	PP	ABS	PC	PVC	Polysulfone	J1A
A	.440	.440	.440	.440	.440	.440	.440	.432
B								
C								
D								
E								
F								

UNLESS OTHERWISE SPECIFIED DIMENSIONS ARE IN INCHES TOLERANCES ARE:		<b>VALUE PLASTICS, INC.</b>	
FRACTIONS ±	DECIMALS ±	ANGULAR ±1°	PART NUMBER: 18L230
.XX ±.01	.XXX ±.005	.XXXX ±.001	DESCRIPTION: 1/8-27 NPT Thread Elbow with 7/16" Hex to 200 Series Barb, 1/8" (3 mm) ID Tubing
DO NOT SCALE DRAWING			REV. B
DRAWN BY: Frank Lombardi	DATE: 09-12-05	SIZE: B	SCALE: NTS
Engineer/Manager: Rick Cairns		DRAWING NUMBER: 1007483	REV. B
© 2005 VALUE PLASTICS, INC.			SHEET: 1 OF 1

FOR REFERENCE ONLY